



# EV CHARGER POWER QUALITY IMPROVED WITH BRIDGE-LESS CUK CONVERTER USING FUZZY LOGIC CONTROLLER

<sup>1</sup>Dr.G. Srinivasa Rao, <sup>2</sup>E. Rajesh Kumar, <sup>3</sup>Dr.S. Muthu Balaji

<sup>1</sup>Associate Professor, Department of EEE, CMR College of Engineering & Technology, Hyderabad, India.

<sup>2</sup>PG Scholar (PE), Department of EEE, CMR College of Engineering & Technology, Hyderabad, India.

<sup>3</sup> Professor, Department of EEE, CMR College of Engineering & Technology, Hyderabad, India.

<sup>1</sup>Email: drgundalasrinivasarao@cmrcet.ac.in

<sup>2</sup>Email: rajeshkumar.eppalapalli@gmail.com

<sup>3</sup>Email:muthusa15@cmrcet.org

## Abstract—

Using a Bridgeless Cuk converters with a fuzzy logic controller, this research provides a novel configuration for enhancing the voltage stability of an EV charger by minimizing the THD of the source current provided to the EV charger. A fuzzy-logic controller is often utilized to control converters (switches gating signals). This EV charger uses fewer switches per switching cycle than a traditional EV charger's diode bridge rectifier, allowing for faster charging times. Since the suggested converters are used, an EV charger's efficiency is enhanced. Moreover, the conductance of inactive switches and the undesirable capacitive coupling loop are both eliminated in the current BL Cuk converter. Electrical isolation between the converter and flyback converter is ensured by synchronizing the directives charging method that maintains a constant current and voltage. The proposed charger uses AC mains electricity to keep the supply current THD below IEC standard limits by drawing power from the main supply.

**Keywords:** BL (bridgeless) Cuk converter, flyback converter, battery charger, fuzzy logic controller, THD.

**DOI Number:** 10.48047/nq.2022.20.22.NQ10256

**NeuroQuantology**2022;20(22):2664-2668

## I. INTRODUCTION

When more conventional fuels are used to power vehicles and other forms of transportation, there is a corresponding increase in the amount of pollution that is harmful to people and other forms of life. As a consequence of this, battery-powered electric vehicles (BEVs), also known as rechargeable electric vehicles, are gaining ground on conventional gasoline-powered automobiles in the race to develop current modes of transportation that are sustainable and kind to the environment. When it comes to the process of charging an electric vehicle, the most essential component is either an

onboard or an offboard AC converter charger (EV). Throughout the research that has been done on electric vehicle (EV) charging, many unidirectional and bidirectional designs have been investigated. Conventional diode bridge rectifier electric vehicle (EV) chargers have the ability to lower the input power factor (PF) and increase the total harmonic distortion (THD), with the latter number reaching as high as 54.9%. Waves that were recorded make it abundantly evident that the typical diode rectifier type electric vehicle (EV) charger in question does not perform to the standards established by the IEC.

## II. METHODOLOGY



**A. EXISTING SYSTEM**

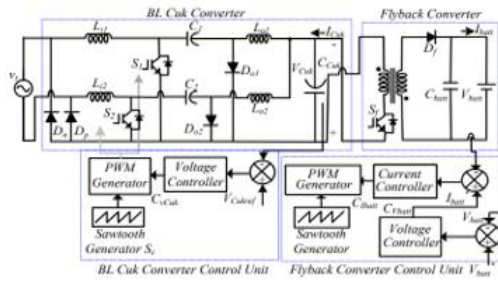


Fig. 1. The BL Cuk Converter as the Base of an EV Charger Arrangement.

As shown in Figure 1, the BL Cuk converter is the primary component of an electric vehicle (EV) charger arrangement. The supply voltage to the converter is denoted by the symbol  $v_s$  in this equation.

**B. PROPOSED SYSTEM**

Block Diagram:

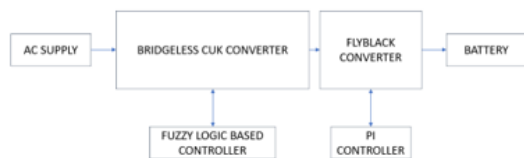


Fig.2 The suggested system is shown schematically.

Alternating current is supplied to the bridgeless Cuk converter, as indicated in the block diagram, and the Flyback converter is used to supply the battery with the bridgeless Cuk converter's output. In order to ensure the most efficient functioning of converters, fuzzy logic-based controllers and PI controllers are used.

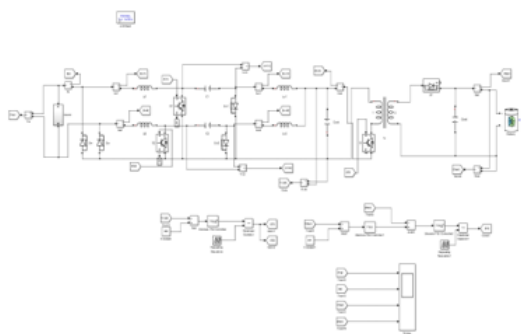


Fig.3. The Suggested BL Cuk Converter-Based Electric Vehicle Charging System.

The fuzzy logic controller design for the BL Cuk converter may be shown in Figure 3. The PI controller that can be seen in the figure is the component that exercises control over the

flyback converter. It is possible to show that this system operates in two unique ways.

Additionally, the switch  $S_1$  is triggered and conducts the supply current through it. The inductor  $L_{i1}$  gets charged as shown in above figure. During the operation of the circuit, the capacitor  $C_1$  discharges while the inductor  $L_{o1}$  becomes charged. At the same time, the capacitor  $C_{cuk}$  also becomes charged. The flyback converter is then connected to the output voltage across the  $C_{cuk}$ .

Mode-II [switch OFF period,  $D_{Cuk}T_s \leq t \leq D_1T_s$ ]: When the supply voltage  $V_s$  experiences a positive half cycle, the diode  $D_P$  becomes forward biased and starts conducting. The switch  $S_1$  is turned off due to the charging & discharging of the inductors and the capacitors in the mode-1, the polarities of them gets reversed. Hence the diode  $D_{o1}$  gets forward biased and it starts to conduct. As shown in the figure, the inductors  $L_{i1}$ ,  $L_{o1}$  discharges & the capacitors  $C_i$ ,  $C_{cuk}$  gets charged.

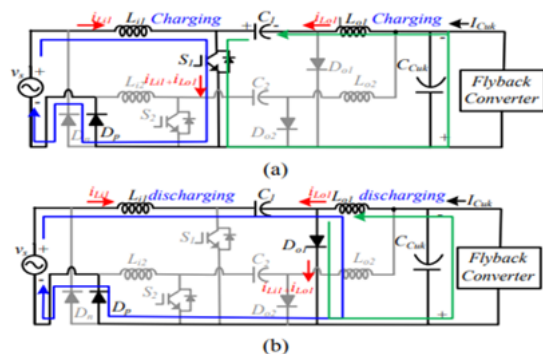


Fig.4. The circuit operation of an EV charger with a BL Cuk converter. (a) Mode-I and (b) Mode-II.

The  $L_{i1}$ ,  $S_1$ ,  $D_p$ ,  $L_{o1}$  ( $L_{i1}$ ,  $L_{o1}$  are charging) are in conduction during the positive half cycle of the input voltage and the capacitors  $C_1$  discharges &  $C_{Cuk}$  charges, whose output is fed to the flyback converter & then to the battery. The  $L_{i1}$ ,  $D_{o1}$ ,  $D_p$ ,  $L_{o1}$  are in conduction ( $L_{i1}$ ,  $L_{o1}$  are discharging) and the capacitors  $C_1$  charges &  $C_{cuk}$  gets charged, whose output is fed to the flyback converter & then to the battery.

**III. RESULTS AND DISCUSSION**

The efficiency of the suggested model was tested by simulation.



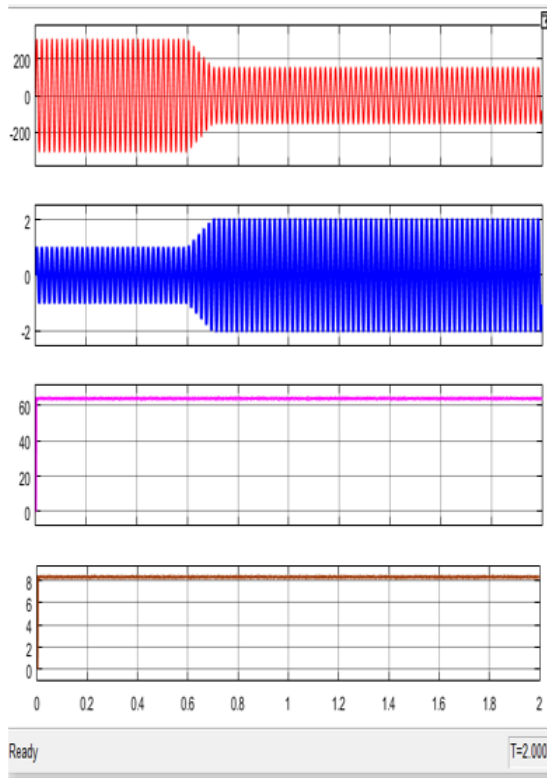


Fig.5.Simulation results of input voltage & input current during voltage sag condition.

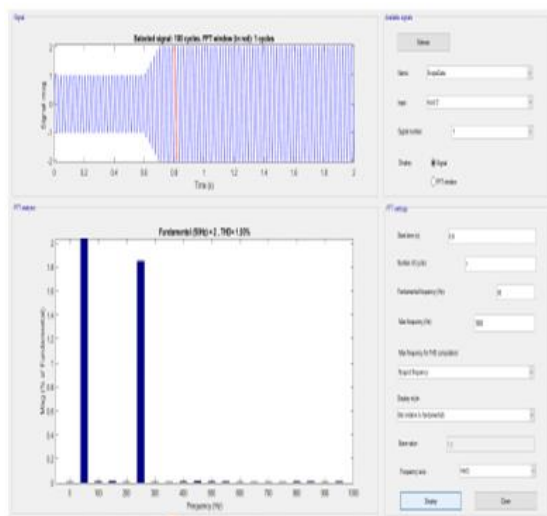


Fig.6. During the voltage sag, grid current and THD.

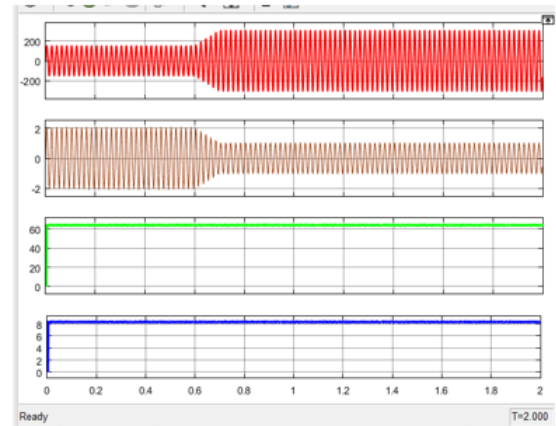


Fig.7. Simulation results of input voltage & input current during voltage swell condition.

2666

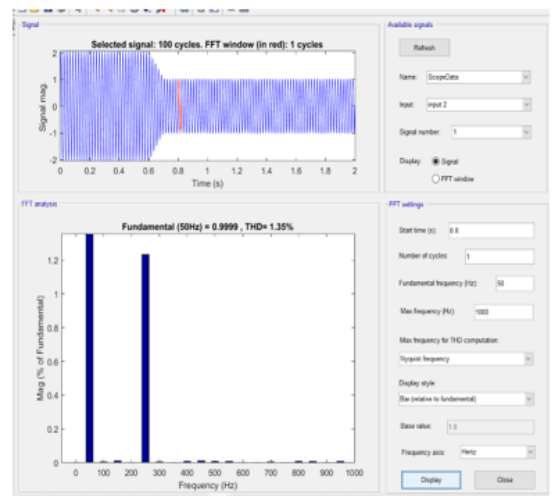


Fig.8. Voltage swells increase the grid current and THD.

#### IV. Comparison between existing & proposed system

S.N	THD during voltage sag (Using PI Controller)	THD during voltage swell (Using PI Controller)	THD during voltage sag (Using Fuzzy logic Controller)	THD during voltage swell (Using Fuzzy logic Controller)
1	3.27%	3.29%	1.93%	1.35%

#### V. Conclusion

Fuzzy logics controls are used in the cutting-edge BL Cuk converters in order to improve the power efficiency of the electric vehicle chargers by lowering the amount of total

harmonic distortion in the provided current (THD). The Power Quality analysis for the indicated chargers is carried out in compliance with the criteria established by the IEC, and it takes into account income voltages ranging from 0 to 240V. As a consequence of putting into action the recommended configuration, an improved alternative to the existing devices is produced.

## VI. References

- [1] Soheli, S. N., Sarowar, G., Hoque, M. A., & Hasan, M. S. (2018). *Design and Analysis of a DC-DC Buck Boost Converter to Achieve High Efficiency and Low Voltage Gain by using Buck Boost Topology into Buck Topology*. 2018 International Conference on Advancement in Electrical and Electronic Engineering (ICAEEE). doi:10.1109/icaeee.2018.8643001
- [2] Babazadeh, Y., Babaei, E., & Sabahi, M. (2019). *A New Non-Isolated Buck-Boost Converter with High Voltage Gain and Positive Output Voltage for Renewable Energy Applications*. 2019 10th International Power Electronics, Drive Systems and Technologies Conference (PEDSTC). doi:10.1109/pedstc.2019.8697734. 10.1109/PEDSTC.2019.8697734
- [3] Li, Chushan; Xu, Dewei (2017). *Family of Enhanced ZCS Single-Stage Single-Phase Isolated AC-DC Converter for High-Power High-Voltage DC Supply*. *IEEE Transactions on Industrial Electronics*, 64(5), 3629–3639.
- [4] Algamluoli, A. F. (2019). *Novel Controller for DC-DC Cuk Converter*. 2019 1st Global Power, Energy and Communication Conference (GPECOM). doi:10.1109/gpecom.2019.8778545. 10.1109/GPECOM.2019.8778545
- [5] Tripathy, C. S., Dalai, S. K., Samal, T., & Sahu, R. (2021). *Modeling and Simulation of Cuk-Converter Using Single Phase Matrix Converter Topology*. 2021 1st Odisha International Conference on Electrical Power Engineering, Communication and Computing Technology (ODICON). doi:10.1109/odicon50556.2021.9429018. 10.1109/ODICON50556.2021.942901
- [6] Alishah, Rasoul Shalchi; Yahya Hassani, Mir; Hosseini, Seyed Hossein; Bertilsson, Kent; Babalou, Milad (2019). *[IEEE 2019 10th International Power Electronics, Drive Systems*

*and Technologies Conference (PEDSTC) - Shiraz, Iran (2019.2.12-2019.2.14)] 2019 10th International Power Electronics, Drive Systems and Technologies Conference (PEDSTC) - Analysis and Design of a New Extendable SEPIC Converter with High Voltage Gain and Reduced Components for Photovoltaic Applications*. , ( ), 492–497.

[7] Hasan, R., Hassan, W., & Xiao, W. (2020). *A High Gain Flyback DC-DC Converter for PV Applications*. 2020 IEEE REGION 10 CONFERENCE

(TENCON). doi:10.1109/tencon50793.2020.9293904. 10.1109/TENCON50793.2020.9293904

[8] Kim, Sang-Yun; Park, Young-Jun; Ali, Imran; Nga, Truong Thi Kim; Ryu, Ho-Cheol; Khan, Zaffar Hayat Nawaz; Park, Seong-Mun; Pu, YoungGun; Lee, Minjae; Hwang, Keum Cheol; Yang, Youngoo; Lee, Kang-Yoon (2017). *A Design of a High Efficiency DC-DC Buck Converter With Two-Step Digital PWM and Low Power Self Tracking Zero Current Detector for IoT Applications*. *IEEE Transactions on Power Electronics*, ( ), 1–1.

[9] Eydi, Mohammad; Hosseini, Seyed Hossein; Ghazi, Reza (2019). *[IEEE 2019 10th International Power Electronics, Drive Systems and Technologies Conference (PEDSTC) - Shiraz, Iran (2019.2.12-2019.2.14)] 2019 10th International Power Electronics, Drive Systems and Technologies Conference (PEDSTC) - A New High Gain DC-DC Boost Converter with Continuous Input and Output Currents*. , ( ), 224–229.

[10] Anand, G., & Pandey, A. K. (2018). *Comparison and Design of Flyback Converter using an Ideal Switch and a MOSFET Switch*. 2018 International Conference on Power Energy, Environment and Intelligent Control (PEEIC). doi:10.1109/peeic.2018.8665449. 10.1109/PEEIC.2018.8665449

[11] ShuoYan; YonghengYang; S. Y. Hui; FredeBlaabjerg; (2021). *A Review on Direct Power Control of Pulsewidth Modulation Converters*. *IEEE Transactions on Power Electronics*,

[12] Lee, Sung-Ho; Cha, Woo-Jun; Kwon, Bong-Hwan (2017). *High Efficiency Soft-switching AC-DC Converter with Single-power-*

conversion Method. *IEEE Transactions on Industrial Electronics*,

[13] Sun, Qingguo; Wu, Jianhua; Gan, Chun; Si, Jikai; Guo, Jifeng; Hu, Yihua (2019). *Cascaded Multiport Converter for SRM-Based Hybrid Electrical Vehicle Applications*. *IEEE Transactions on Power Electronics*, (), 1–1.

[14] Saleh, B., Teirelbar, A., & Wasfi, A. (2020). *A DC/DC buck-boost converter control using sliding surface mode controller and adaptive PID controller*. *2020 22nd European Conference on Power Electronics and Applications (EPE'20 ECCE Europe)*. doi:10.23919/epe20ecceurope43536.2020.9215853.

10.23919/EPE20ECCEEurope43536.2020.9215853

[15] Hinov, N., & Hranov, T. (2020). *Model-Based Optimisation of a Buck-Boost DC-DC Converter*. *2020 21st International Symposium on Electrical Apparatus & Technologies (SIELA)*. doi:10.1109/siela49118.2020.9167056. 10.1109/SIELA49118.2020.9167056

[16] Surya, S., & Patil, V. (2019). *Cuk Converter as an Efficient Driver for LED*. *2019 4th International Conference on Electrical, Electronics, Communication, Computer Technologies and Optimization Techniques (ICECCOT)*. doi:10.1109/iceccot46775.2019.9114648.

10.1109/ICECCOT46775.2019.9114648

[17] Aksenov, E. A., & Yurkevich, V. D. (2017). *Digital control system design for a Cuk converter*. *2017 18th International Conference of Young Specialists on Micro/Nanotechnologies and Electron Devices (EDM)*. doi:10.1109/edm.2017.7981782

[18] De Oliveira, E. F., Sprunck, S., Pfeiffer, J., & Zacharias, P. (2020). *A GaN-based DC/DC converter for e-vehicles applications*. *2020 22nd European Conference on Power Electronics and Applications (EPE'20 ECCE Europe)*. doi:10.23919/epe20ecceurope43536.2020.9215951.

10.23919/EPE20ECCEEurope43536.20

[19] Rahman, I. I., Riawan, D. C., & Ashari, M. (2019). *Design and Implementation of DC-DC Bidirectional Cuk Converter with Average Current Mode Control for Lead Acid Battery Testing*. *2019 International Seminar on Intelligent Technology and Its Applications*

eISSN1303-5150

(ISITIA). doi:10.1109/isitia.2019.8937200. 10.1109/ISITIA.2019.8937200

[20] Argo Dahono, P., & Dahono, A. (2020). *A Family of Modular Multilevel Bidirectional DC-DC Converters for High Voltage-Ratio and Low-Ripple Applications*. *2020 IEEE Energy Conversion Congress and Exposition (ECCE)*. doi:10.1109/ecce44975.2020.9236423 . 10.1109/ECCE44975.2020.9236423

